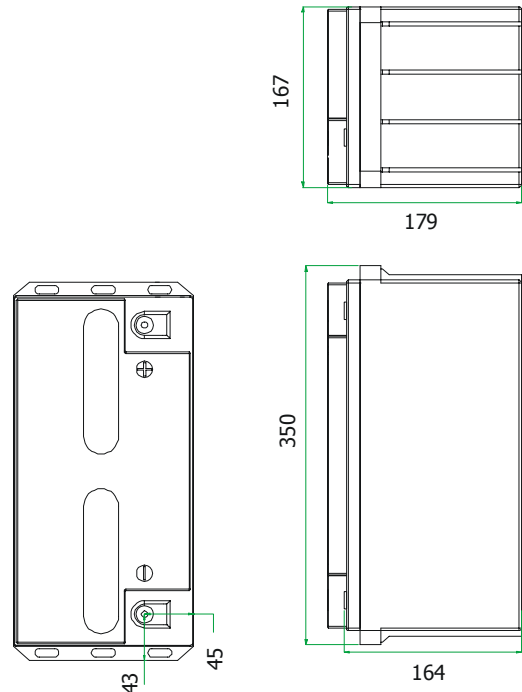


TECHNICAL DATA

Nominal voltage U_n	12 V	
Nominal capacity (C_{20} @ 20°C)	70 Ah	
Technology - Separator	AGM	
Designed service life (years)	10 - 12	
Classification according to EUROBAT	High Performance	
Dimensions	Length	350 mm
	Width	167 mm
	Height	179 mm
Weight	22,1 kg	
Terminals	Thread M 6	
Max. tightening torque	6-7 Nm	
Available capacity at 20°C at 1,75 V/cell	20 h	70,0 Ah
	10 h	62,8 Ah
	5 h	56,2 Ah
	3 h	50,7 Ah
Capacity C_{20} in dependence on operating temperature	40°C	102 %
	20°C	100 %
	0°C	85 %
	-15°C	65 %
Range of operating temperatures	charging	-15°C ÷ + 50°C
	discharging	-20°C ÷ + 60°C
Internal resistance	5,5 mΩ	
Short circuit current (20°C)	2100 A	
Constant voltage charging 15-25°C	Buffer operation	2,25-2,30 V/cell
	Cyclic operation	2,35-2,40 V/cell
Temperature compensation	Buffer operation	± 3,0 mV/°C/cell
	Cyclic operation	± 5,0 mV/°C/cell
Max. charge current	17,5 A	
Self-discharge during storage at 20°C	Capacity after 1 month	98 %
	Capacity after 3 months	94 %
	Capacity after 6 months	86 %



DISCHARGE CHARACTERISTICS

Cut-off voltage	Discharge time (minutes), watts / cell at 20°C												
	5	10	15	20	25	30	35	40	45	60	90	120	180
1,85 V/cell	336,6	250,9	209,1	178,5	154,0	137,7	123,4	114,2	106,1	87,9	61,7	47,0	32,0
1,80 V/cell	368,5	283,6	229,5	189,7	160,1	141,8	127,5	117,3	110,2	88,2	61,6	47,3	32,6
1,75 V/cell	388,3	302,9	244,8	198,9	169,3	147,9	132,6	121,4	112,2	89,4	62,4	47,5	32,8
1,70 V/cell	407,0	321,3	253,0	207,1	173,4	152,0	134,6	122,4	113,2	90,4	63,1	48,1	33,0
1,65 V/cell	422,4	330,5	262,1	213,2	178,5	153,0	135,7	123,4	114,2	91,4	63,8	48,7	33,2
1,60 V/cell	442,2	339,7	270,3	216,2	181,6	156,1	138,7	125,5	116,3	92,2	64,5	49,2	33,4
Cut-off voltage	Discharge time (minutes), Amps at 20°C												
	5	10	15	20	25	30	35	40	45	60	90	120	180
1,85 V/cell	180,4	134,6	111,2	95,2	81,8	72,6	65,3	59,9	55,5	45,9	32,0	24,3	16,4
1,80 V/cell	201,3	154,0	124,4	102,0	86,1	76,0	68,0	61,9	58,0	46,3	32,1	24,6	16,8
1,75 V/cell	214,5	166,3	133,6	108,1	91,5	79,2	70,6	64,5	59,5	47,1	32,6	24,8	16,9
1,70 V/cell	226,6	177,5	138,7	113,2	94,5	82,2	72,5	65,3	60,2	47,7	33,2	25,1	17,1
1,65 V/cell	235,4	183,6	144,8	116,3	97,3	82,9	73,2	65,9	60,8	48,3	33,6	25,4	17,2
1,60 V/cell	248,6	189,7	148,9	118,3	99,2	84,8	74,7	67,5	62,0	48,9	34,0	25,7	17,3

OPERATION FEATURES

- Maintenance-free in respect of electrolyte checks and refilling
- Electrolyte absorbed into a spongy structure of glass fibre separators – technology AGM
- Safe operation ensured by the self-sealing system of safety valves
- Wide range of operating temperatures
- Sealed to exclude any electrolyte leakage
- Energy-efficient plates
- Fast charging
- Casing made of shock resistant slow burning ABS resin
- Low self-discharge level – less than 3% per month
- Compliant with BS6290 Pt 4, IEC 896-2, DIN 43534, EUROBAT
- FAA and IATA approved as safe in transport
- Manufacture compliant with ISO 9001